

Ultra-Guard

The Small Cover with a Big Heart

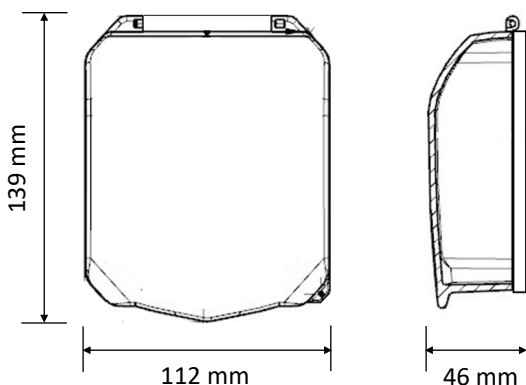


Each Ultra-Guard comes with a single break-seal in the box

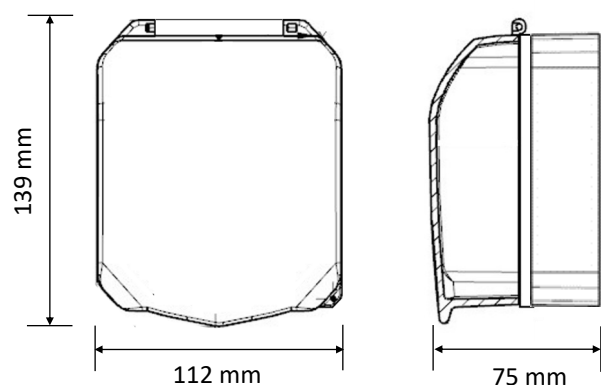
Key attributes:

- Easy, Retrofit Installation (reduces installation time)
- Flush or Surface Mounting Options
- Break-Seal Mounting Area (allowing tamper prevention)
- Colour Coded Label Option (clear operating instruction)
- High Impact Protection (from both front & side)
- UV Stabilised (prolongs life of product from UV rays)
- Manufactured in Robust Polycarbonate

Product Dimensions Flush Mount



Product Dimensions Surface Mount



Tough Protection for Products that matter

Lead the fight back against vandalism or unnecessary damage - Protection designed to save lives

This versatile protective cover is designed to be compact but incredibly tough when it matters the most.

Manufacture in UV stabilised polycarbonate it will become your first line of defence, surviving hard hitting impacts from the front and from the side, protecting the products underneath that matter the most.

The Ultra-Guard will also have an impact in reducing unnecessary and unwanted everyday incidents that can be disruptive and financially crippling to businesses too.

Its compact design is not only pleasing on the eye, but more importantly less intrusive when protecting equipment in small, tight areas or when installed in narrow, busy corridors.

Ideal Protection for:

Manual Call Points, Emergency Stop Buttons, Emergency Door Release Buttons or any General Use Buttons or Key switches

Colour Label Options:

Red, Green, Blue, Yellow, Clear

IP Rating:

Indoor Only (with gasket upgrade in line with IP55)

Application areas:

Hospitals, Schools, Universities, Airports, Shopping Centres, Public & Office Buildings, Industrial areas, Sports & Concert Arenas etc...

- **Additional Protection Option:** for Industrial / Weather Resistant Protection (see over)

Ordering Codes

Step 1.

ALL Ultra-Guard covers are pre-fixed with

Step 2.

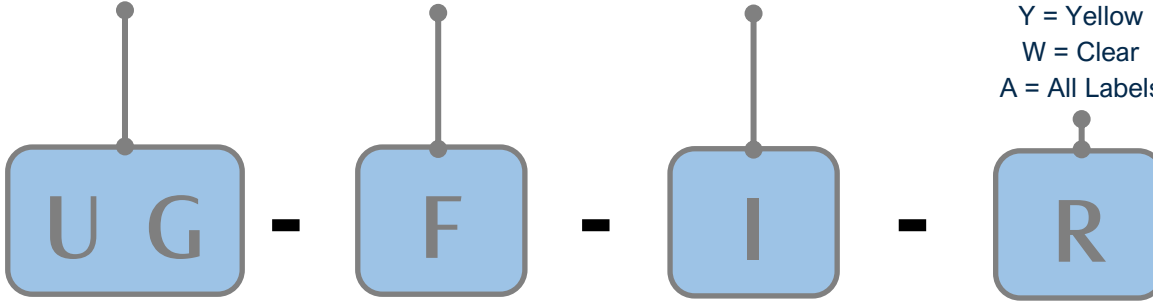
Mounting Option
F = Flush Mount
S = Surface Mount

Step 3.

Environment Option
I = Indoor
W = Weatherproof

Step 4.

Label Colour Ref
R = Red
G = Green
B = Blue
Y = Yellow
W = Clear
A = All Labels



Example code above shows: **UG-F-I-R** Ultra-Guard Cover, Flush Mount, Indoor, Red

Ordering Code Guidance:

Label colour - **Red** (Fire Applications) **Green** (Access Control Applications)
Blue (Security Alert / Pool Alarm Applications) **Yellow** (Gas Applications)
Clear (General Control Applications)

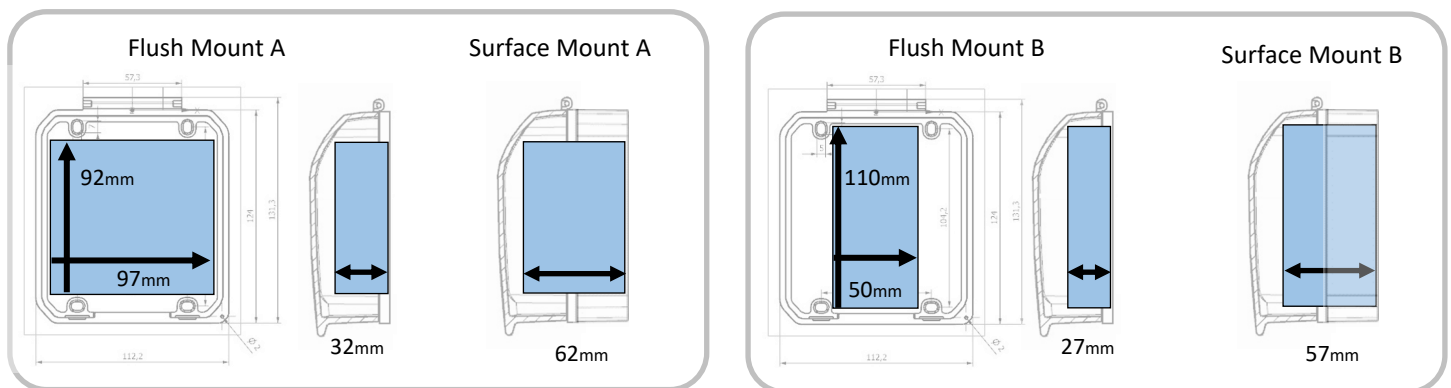
Label Type - Each product will be supplied with a minimum of 2x self-affix labels in the colour you have selected, or in the case of selecting "All Labels" you will receive 2 x self-affix labels in all of the 5 colour options (x12 labels in total)

Label Text - Each set of 2 labels will have the choice of the following instructive text
- IN CASE OF EMERGENCY LIFT COVER - ACTIVATE DEVICE
- TO OPERATE LIFT COVER - ACTIVATE DEVICE

Surface Mount - The surface mount spacer is designed to add additional depth to install the Ultra-Guard cover over surface mounted devices. The spacer allows a single 20mm conduit entry point from either the top or bottom and comes complete with break off conduit blanking tabs

Weatherproof - If you select the "Weatherproof" option of the Ultra-Guard you will receive additional gaskets that are to be applied during installation, reducing the risk of ingress

Maximum Device Coverage



Ultra-Guard Accessories:

- UG-BS-10 Ultra-Guard Replacement Break-seals, Pack of 10
- UG-GASKT-01 Ultra-Guard, Weatherproof Gasket Set for Flush & Surface Mount



Ultra-Guard Break seal Facility

Break seal mounting holes are positioned on the lower right hand corner of the cover and frame.