

Explosion Proof Break Glass Manual Call Point

ZT-EXP-BG/R



Description

The Zeta explosion proof ZT-EXP-BG break glass Ex d manual call points feature a robust GRP enclosure with a 316 stainless steel mechanism and IP66/67 rating – manufactured for the harshest of hazardous environments.

Globally approved to IECEx, ATEX, UL and cUL standard for all Z one 1, 2, 21 & 22 and Class I/II Div 2 installations. Can also be specified for applications requiring compliance to the UL38 standard for Manual Signaling Boxes for Fire Alarm Systems or ULC-S528 Manual Stations for Fire Alarm Systems.

SIL 2 compliant to IEC 61508 (2010).



Approvals

- Corrosion proof GRP enclosure, anti-static & UV stable
- Ingress protection IP66/67/68, 4/4X/3R/13
- Single or double switch (SPCO/DPCO)
- 316 (A4) stainless steel mechanism
- 3 x cable entries, 2 x stopping plugs included.

Approvals

UL/cUL certificate: 20190604-E482536, 20200224-E513632
 IECEx certificate: IECEx ULD 19.0007X
 ATEX certificate: DEMKO 19 ATEX 2101X
 UKCA certificate: UL21UKEX2134X
 INMETRO certificate: IEx 23.0091X
 DNV certificate: TAA000034V
 SIL 2 compliant to IEC 61508 (2010)

Coding

• NEC / CEC:

Class I Div 2 Group ABCD T5 Ta -55°C to +70°C
 Class I Div 2 Group ABCD T6 Ta -55°C to +60°C
 Class II Div 2 Group FG T4 Ta -55°C to +60°C
 Class III Div 1 & 2 Ta -55°C to +60°C

• NEC:

Class I Zone 1 AEx db IIC T5 Gb (Ta -55°C to +70°C)
 Class I Zone 1 AEx db IIC T6 Gb (Ta -55°C to +60°C)
 Zone 21 AEx tb IIIC T135°C Db (Ta -55°C to +70°C)
 Zone 21 AEx tb IIIC T125°C Db (Ta -55°C to +60°C)

• CEC:

Class I Zone 1 Ex db IIC T5 Gb X (Ta -55°C to +70°C)
 Class I Zone 1 Ex db IIC T6 Gb X (Ta -55°C to +60°C)
 Zone 21 Ex tb IIIC T135°C Db (Ta -55°C to +70°C)

• IECEx & ATEX:

II 2G Ex db IIC T5 Gb Ta. -55 to +70°C
 II 2G Ex db IIC T6 Gb Ta. -55 to +65°C
 II 2D Ex tb IIIC T90°C Db Ta. -55° to +70°C

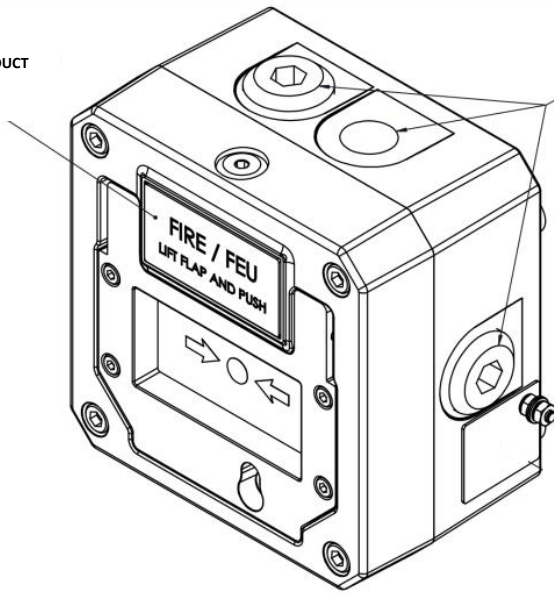
See product manual for full product specific coding

Specifications

ZT-EXP-BG/R:	Break Glass Manual Call Point	
Temp. Range:	-55°C to +60°C/+70°C	
Switch:	Sealed – IP67 SPCO / SPDT	
Ingress protect:	IP66/67/68 to EN/IEC 60529 4/4X/3R/13 to UL50E/NEMA250	
Enclosure matl:	GRP Glass Reinforced Polyester, anti-static & UV stable	
Colour:	Red	
Cable entries:	2 x M20x1.5 down facing and 1 x M20x1.5 side Back box can be rotated to provide 2 x top facing and 1 x side entries.	
Stopping plugs:	2 x Stopping plugs as standard Brass	
Terminals:	DIN rail 8 x 2.5mm ² SAK2.5	
Earth:	External M5 earth connection	
Relative Humidity:	R.H. 95% @ 20°C	
MTBF:	479.6 years / 4,201,680 hours	
Weight:	2.1Kg/4.63lbs	
Voltage Range:	Max input Current: Limitations for EOL / Series Resistors:	
250Vac Max	3.33A max	not permitted
48Vdc Max	1.0A max	min. 2.2kOhm
24Vdc Max	3.0A max	min. 470 Ohm
EOL and Series Diode Values:		
xxx:	Zener Value	Max. current supply permitted
3V3	3.3V Diode	230mA
4V7	4.7V Diode	162mA
5V1	5.1V Diode	149mA
5V6	5.6V Diode	136mA
6V2	6.2V Diode	122mA
6V8	6.8V Diode	112mA
10V	10V Diode	76mA
12V	12V Diode	63mA



DUTY LABEL ON PRODUCT
FIRE / FEU



3 OFF M20x1.5mm Ex d Approved

CABLE GLANDS OR STOPPING PLUGS TO
BE USED IN EACH ENTRY

